

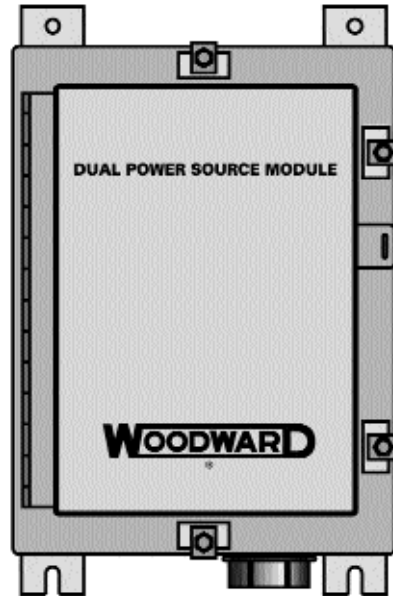
Dual Power Source

Applications

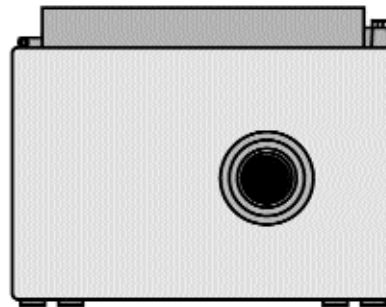
The Dual Power Source uses two-input power sources to provide a high-reliability dc power source for Woodward's 501 and 505 controls.

Description

The Dual Power Source provides a single, unregulated, 90 to 150 Vdc output from two separate ac or dc inputs. Isolation between inputs is maintained. The output is rated at 200 W and is suitable for the 501 and 505 controls. Current is drawn from the input that has the highest voltage after rectification. One model of the Dual Power Source accepts two ac power sources as input power. Another model accepts one ac and one dc power source as input power.



851-106.AI



- Redundant inputs
- AC or DC input power
- DC output (unregulated)
- 200 watts maximum output
- No adjustments

Specifications

Input

Voltage

88 to 132 Vac, 50/60 Hz; or
90 to 150 Vdc

Power

220 W maximum

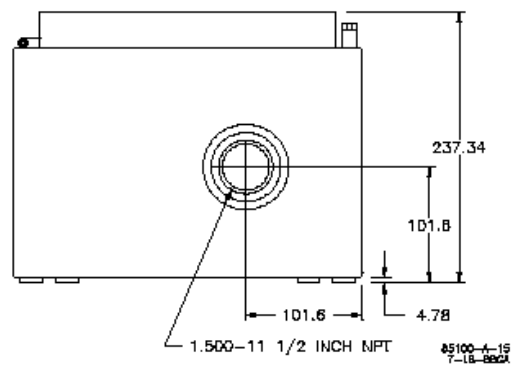
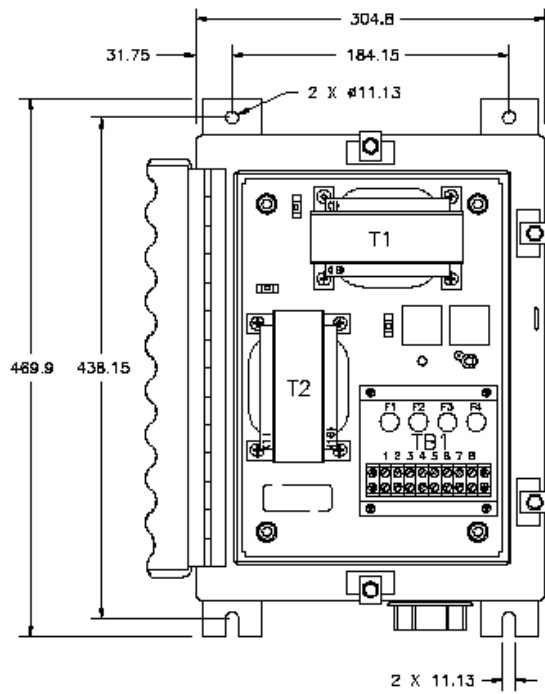
Output

Voltage

90 to 150 Vdc (unregulated)

Power

220 W maximum



(Do not use for construction)

Dual Power Source Outline Drawing



PO Box 1519, Fort Collins CO, USA 80522-1519
 1000 East Drake Road, Fort Collins CO 80525
 Tel.: +1 (970) 482-5811 ♦ Fax: +1 (970) 498-3058
www.woodward.com

Distributors & Service

Woodward has an international network of distributors and service facilities. For your nearest representative, call the Fort Collins plant or see the Worldwide Directory on our website.

This document is distributed for informational purposes only. It is not to be construed as creating or becoming part of any Woodward contractual or warranty obligation unless expressly stated in a written sales contract.

Copyright © Woodward 1993–2010, All Rights Reserved

For more information contact: