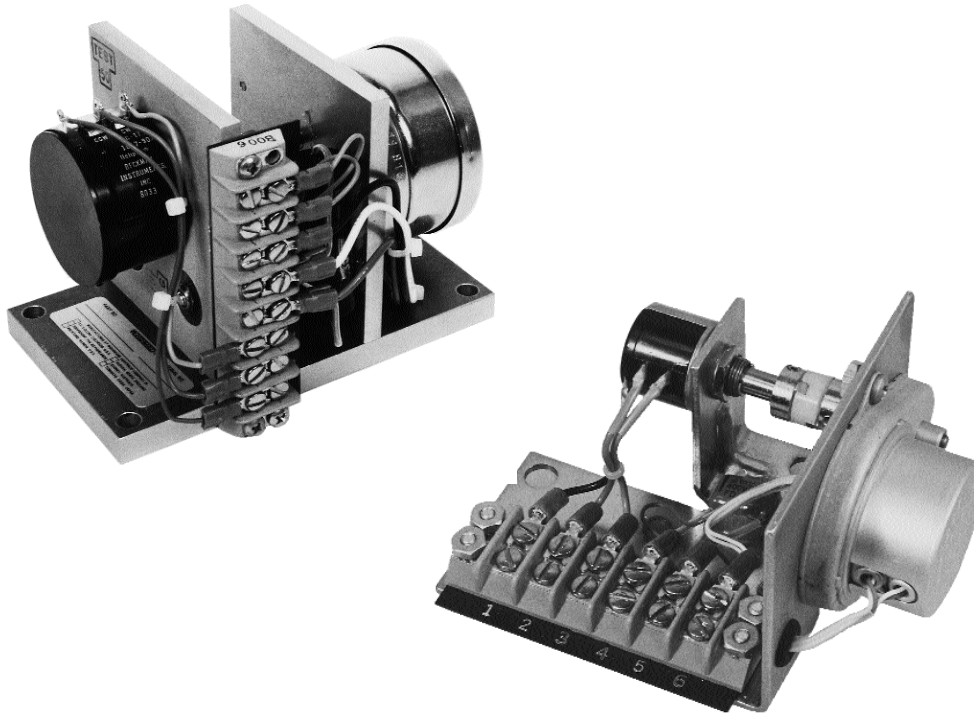


# MOP

## Motor Operated Potentiometer



- Low cost
- Simple, reliable design
- Standard resistance values
- 24 Vdc, 115, or 230 Vac operation

### ***Application***

This motor operated potentiometer (MOP) is a low-cost means of remote speed adjustment or speed trim for Woodward 2301, 2301A, 2500, and Electrically Powered Governor (EPG) controls. The MOP is also used as a power level adjustment for the Woodward Generator Load Control and the family of Import/Export controls.

The MOPs covered in this product specification have 1 rpm motors except MOPs 8272-131 and 8271-877, which have 3 rpm motors.

### ***Description***

The MOP is an assembly of a potentiometer driven through a coupling by an electric motor. The motor includes a friction clutch assembly to prevent damage to the potentiometer when it is turned to the end of its travel. The potentiometer and motor are mounted on a sheet steel bracket. Install the MOP at the electric control panel or remotely.

## Specifications

### MOP Assembly

Operating Temperature Range	29 to +66 °C (-20 to +150 °F)
Weight	Approximately 369 g (13 oz)

### Potentiometer

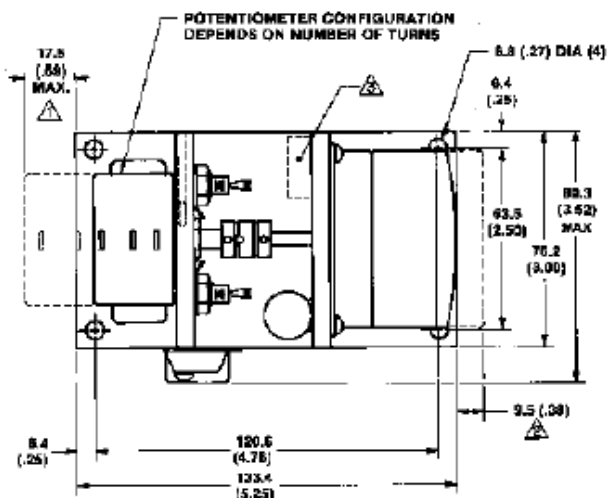
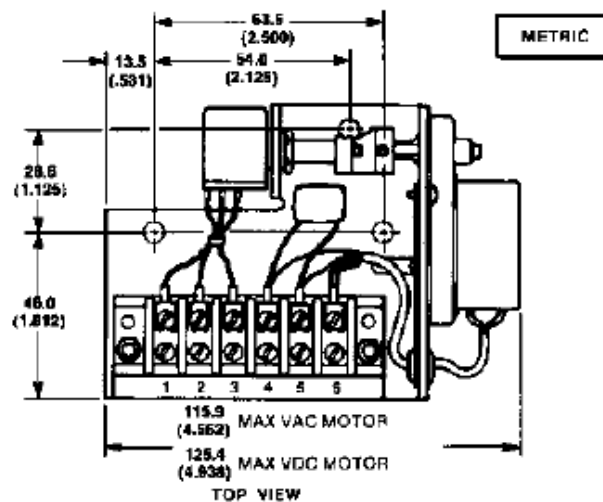
Construction	Wire wound
Rotation	1 turn, 3 turns, or 10 turns
Resistance Values	50, 100, 200, 500, 1000, 5000 Ω
Resistance Tolerance	± 5%
Linearity	± 0.25%
Power Loss	1 W at 70 °C (158 °F)
Power Rating	1 W

### DC Motor (24 Vdc)

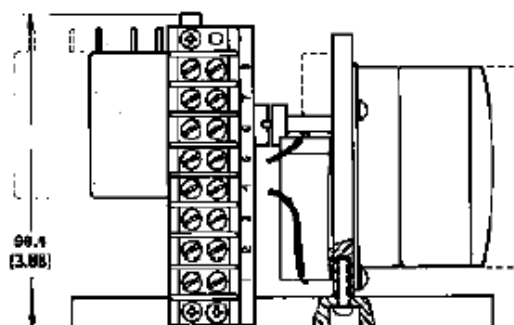
Type	DC motor, electrically reversible
Voltage	24 Vdc
Rotation	1 rpm
Coast Time	160 ms from power off to no change

### AC Motor (115 and 230 Vac)

Type	AC motor, synchronous, electrically reversible
Voltage and Frequency	115 Vac, ±10%/60 Hz, ±5%, 230 Vac, ±10%/50 Hz, ±5%
Rotation	1 rpm
Current	15 mA nominal
Power Input	1.5 W nominal at 115 V, 60 Hz, and 25 °C
Coast Time	zero

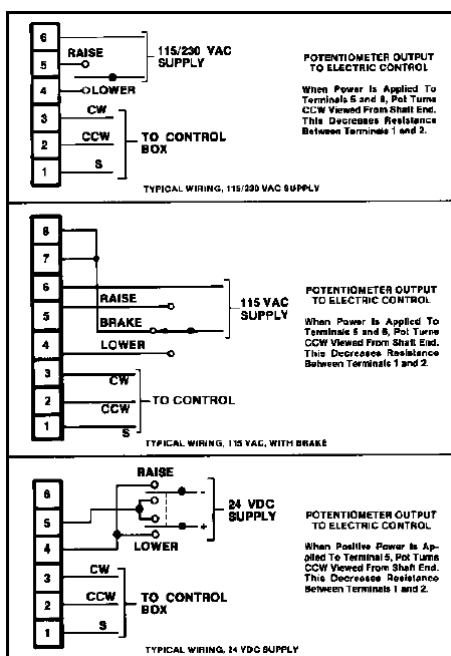


NOTE: INCHES SHOWN IN PARENTHESES



- NOTES:
- ⚠ FOR 10 TURN ONLY.
  - ⚠ FOR 3 RPM ONLY.
  - ⚠ SWITCH USED ON ONE TURN ONLY.

Outline Drawing (Do not use for construction)



**MOP Plant Wiring (Do not use for construction.)**

Part Numbers	Voltage	Resistance	Pot Turns
8271-752	24Vdc	100 Ω	3
8271-753	24Vdc	200 Ω	3
8271-772	24Vdc	500 Ω	3
8271-754	24Vdc	1 kΩ	3
8272-464	24Vdc	1 kΩ	10
8272-048	24Vdc	5 kΩ	3
8272-447	24Vdc	5 kΩ	10
8272-657	24Vdc	10 kΩ	10
8272-669	24Vdc	5 kΩ	1
8272-671	24Vdc	100 Ω	10
8272-653	24Vdc	10 kΩ	3
8272-627	24Vdc	2 kΩ	10
8272-626	24Vdc	2 kΩ	3
8272-196	115Vac, 60 Hz	50 Ω	3
8271-755	115Vac, 60 Hz	100 Ω	3
8272-262	115Vac, 60 Hz	100 Ω	10
8271-756	115Vac, 60 Hz	200 Ω	3
8272-105	115Vac, 60 Hz	200 Ω	10
8271-770	115Vac, 60 Hz	500 Ω	3
8271-757	115Vac, 60 Hz	1 kΩ	3
8272-266	115Vac, 60 Hz	1 kΩ	10

Part Numbers	Voltage	Resistance	Pot Turns
8272-772	115Vac, 50 Hz	1 kΩ	10
8272-399	115Vac, 60 Hz	2 kΩ	3
8272-277	115Vac, 60 Hz	5 kΩ	3
8271-924	115Vac, 60 Hz	5 kΩ	10
8272-694	115Vac, 60 Hz	10 kΩ	10
8272-686	115Vac, 60 Hz	10 kΩ	3
8271-771	230Vac, 50 Hz	100 Ω	3
8271-812	230Vac, 50 Hz	200 Ω	3
8271-813	230Vac, 50 Hz	1 kΩ	3
8272-697	230Vac, 50 Hz	2 kΩ	3
8272-388	230Vac, 50 Hz	5 kΩ	3
<b>for units with braking circuit</b>			
8270-476	115Vac, 60 Hz	100 kΩ	3
8270-048	115Vac, 60 Hz	200 Ω	3
8271-643	115Vac, 60 Hz	200 Ω	10
8270-784	115Vac, 60 Hz	500 Ω	3
8271-658	115Vac, 60 Hz	500 Ω	10
8270-409	115Vac, 60 Hz	1 kΩ	1
8272-131	115Vac, 60 Hz	1 kΩ	1
8270-046	115Vac, 60 Hz	1 kΩ	3
8271-637	115Vac, 60 Hz	1 kΩ	10
8271-806	115Vac, 60 Hz	5 kΩ	10
8271-877	115Vac, 60 Hz	5 kΩ	10



PO Box 1519, Fort Collins CO, USA 80522-1519  
1000 East Drake Road, Fort Collins CO 80525  
Tel.: +1 (970) 482-5811 ♦ Fax: +1 (970) 498-3058  
[www.woodward.com](http://www.woodward.com)

**Distributors & Service**

Woodward has an international network of distributors and service facilities. For your nearest representative, call the Fort Collins plant or see the Worldwide Directory on our website.

This document is distributed for informational purposes only. It is not to be construed as creating or becoming part of any Woodward contractual or warranty obligation unless expressly stated in a written sales contract.

**Copyright © Woodward 1979–2001, All Rights Reserved**

For more information contact: