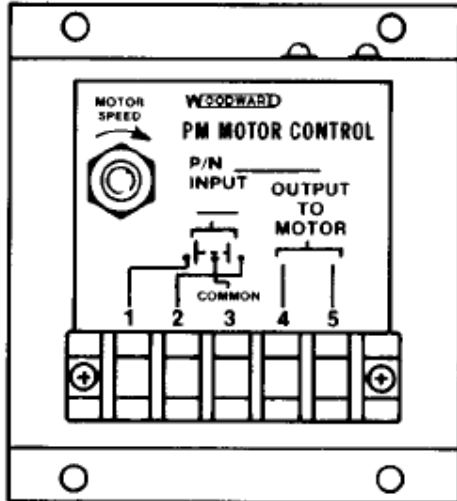
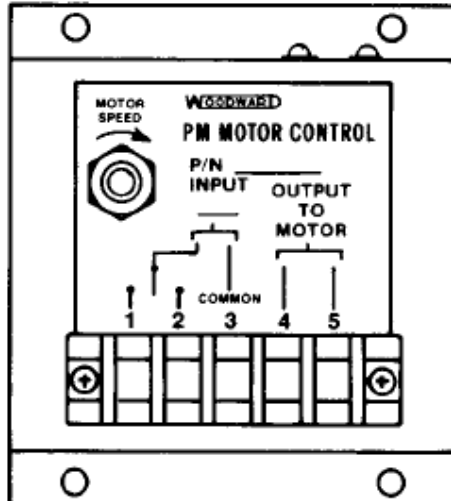


Adjustable Voltage Converter

for 24 Vdc PM Motor Control



824-266

DC Power Input Model


824-265

AC Power Input Model

Applications

The Permanent Magnet (PM) Motor Control provides a low-cost, convenient method of converting almost any supply voltage to the dc power needed to operate a 24 Vdc speed-setting motor.

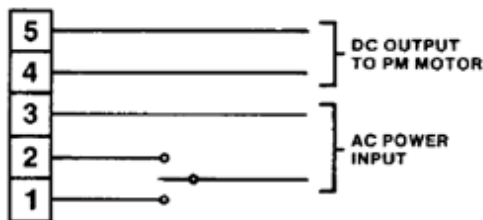
A model is available to convert all popular ac or dc supply voltages.

A one-turn potentiometer is built into the voltage converter to provide a convenient method to set the speed of the PM motor.

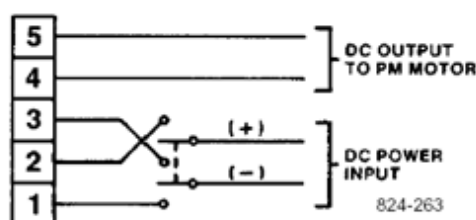
Installation

Voltage converters for ac supplies require a single-pole, double-throw switch supplied by the user. Converters for dc supplies require a double-pole, double-throw switch.

The rotational direction of the PM motor must be set according to the type of governor being controlled. Reverse the leads from the voltage control to the PM motor to reverse the direction of PM motor rotation.



AC Power Input Model



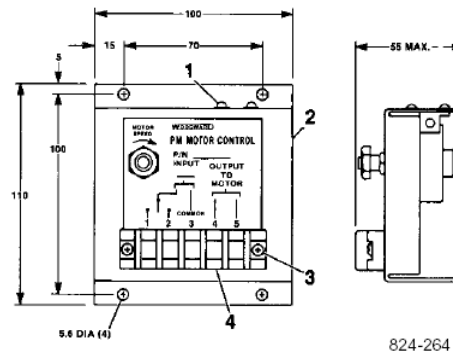
824-263

Plant Wiring Diagrams

- Convenient conversion of most voltages
- Alternating current and direct current models
- Direct current output
- Adjustable motor speed setting
- Provides for installation of increase/decrease switch
- Used with all permanent-magnet speed-setting motors

Use Switch To Stop Motor

Do not use the potentiometer to stop the PM motor. Always use the center position of the reversing switch to stop the PM motor.

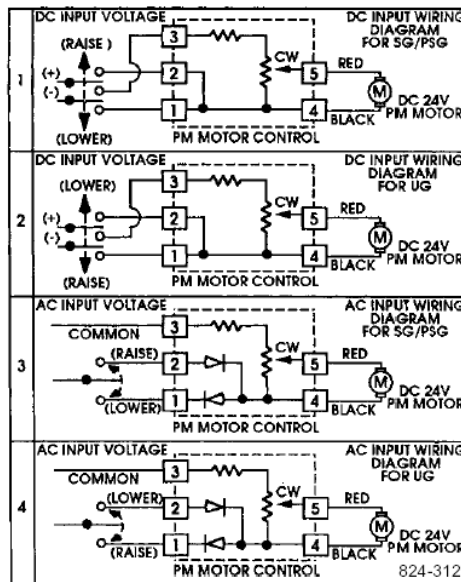


Outline Drawing of PM Motor Control
(Do not use for construction)

Adjustment

Use the potentiometer on the motor control to set the rate at which the PM motor changes the speed setting of the governor. Starting with the potentiometer at mid-point, adjust clockwise for a faster rate of speed-reference change. Adjust counterclockwise for a slower rate of speed-reference change. The potentiometer will have to be readjusted if a different motor is attached to the output.

Adjust the potentiometer while the PM motor rotates. Set the voltage between 18 and 30 Vdc with the motor attached. Load also will change motor speed. Use the APM motor control if more stable motor speed is required (see Product Specification 82044).



Wiring Suggestions



PO Box 1519, Fort Collins CO, USA 80522-1519
1000 East Drake Road, Fort Collins CO 80525
Tel.: +1 (970) 482-5811 • Fax: +1 (970) 498-3058
www.woodward.com

Distributors & Service

Woodward has an international network of distributors and service facilities. For your nearest representative, call the Fort Collins plant or see the Worldwide Directory on our website.

This document is distributed for informational purposes only. It is not to be construed as creating or becoming part of any Woodward contractual or warranty obligation unless expressly stated in a written sales contract.

Copyright © Woodward 1984–2001, All Rights Reserved

For more information contact: